

INSTALLATION GUIDE

TOOLS REQUIRED FOR INSTALLATION



ELECTRIC DRILL & DRILL BIT



SPIRIT LEVEL



CORDLESS SCREWDRIVER & CROSS POINT SCREWDRIVER
(BIT PH1, BIT PH2)



METRIC RULER



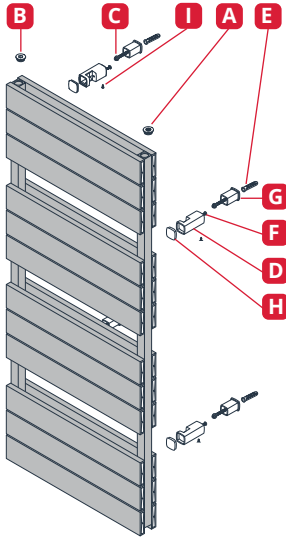
HAMMER



STEP LADDER
(FOR HIGH PRODUCTS)

hammam

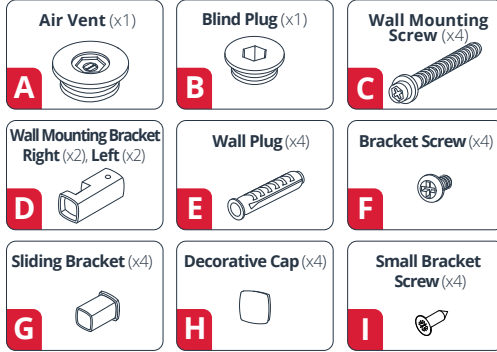
DESIGN RADIATOR



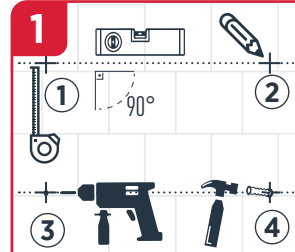
Installation information in this section includes below products

TILT, BELL, BEGONIA, LILY X, LAVENDER

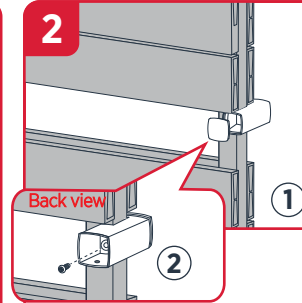
CONTENT OF MOUNTING SET



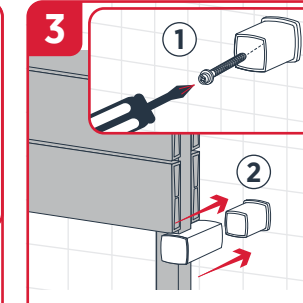
INSTALLATION



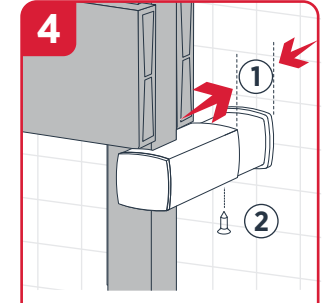
- 1- Adjust the height of your radiator by using a metric ruler.
- 2- Set the location of your radiator as desired, align with the ground by using a spirit level and mark the position of the wall mounting brackets.
- 3- Drill holes (Ø10 mm) into the spots you have marked.
- 4- Nail the wall plugs (E) in the holes by using a hammer.



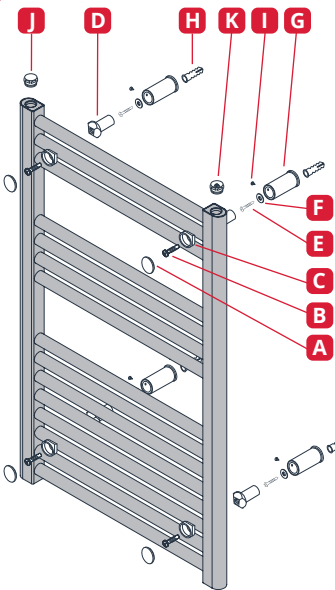
- 1- Close the decorative cap (H) [there will still be a gap of 2mm between cap and mounting bracket(D)]
- 2- Mount the brackets (D) on collector as shown in the figure and fix it via bracket screws (F).



- 1- Fix the sliding brackets (G) on the wall by using wall mounting screws (C).
- 2- Place the towel warmer on the wall.



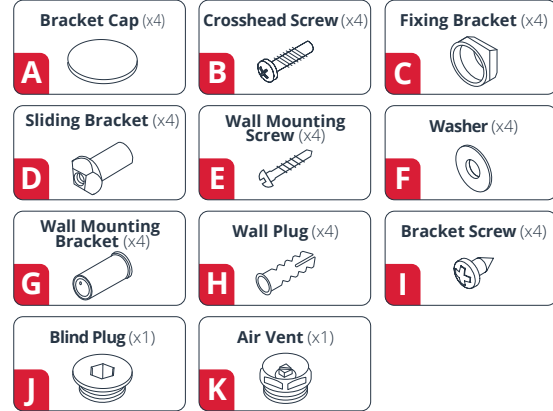
- 1- Adjust the depth from the wall by sliding the towel warmer on the brackets.
- 2- Fix the brackets to each other via small bracket screws (I).



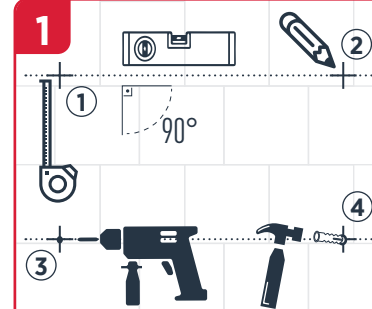
Installation information in this section includes below products

PETUNIA

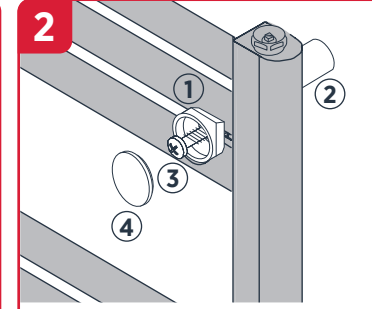
CONTENT OF MOUNTING SET



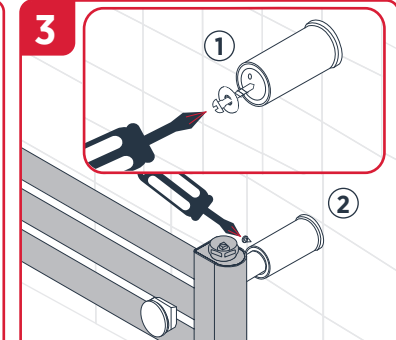
INSTALLATION



- 1- Adjust the height of your radiator by using a metric ruler.
- 2- Set the location of your radiator as desired, align with the ground by using a spirit level and mark the position of the wall mounting brackets.
- 3- Drill holes into the spots you have marked.
- 4- Nail the wall plugs (H) in the holes by using a hammer.



- 1- Place the fixing bracket (C) from the front of the radiator in the way shown in figure.
- 2- Place the slide mounting bracket (D) in the same position on the back of the radiator.
- 3- With the help of crosshead screw (B), tighten the two brackets with the screwdriver or the charged drill.
- 4- Place the bracket cap (A) by sliding it onto the fixing bracket (C).



- 1- Screw the mounting screw (E) through the washer (F) and screw the mounting brackets (G) into the wall using a screwdriver or a charged drill.
- 2- Insert the sliding brackets (D) into the wall mounting brackets (G). Insert the bracket screws (I) in the slots on wall mounting brackets (G), adjust the distance between the wall and your radiator then fix it via screws (I).



WARNING

- Place your radiator at least 12.5 cm above the floor.
- Liquid thread sealant should be used instead of PTFE tape or hemp.
- Connect your radiator to the pipework after following all the installation steps in the manual.
- After connecting to the pipework, do not forget to discharge the trapped air inside the radiator.

www.hammaradiator.com.tr

OSB 25. Cad. No:4 Eskişehir - Türkiye
Telefon : 0 222 236 90 11 Faks : 0 222 236 90 12



30.09.2020 Rev:00
R.EYS.KK.00156



R.EYS.KK.00156_installation_guide_aluminum_towel_rail_seri_1_english_hammam